

IP55

NEMA 12

C3
CLASS



NEO MODULAR TYPE
FLOORSTANDING CABINET

INDUSTRIAL AUTOMATION



POWER DISTRIBUTION



FRAME STRUCTURE



- ▼ 2 welded front-rear frames which made by 1,50 mm material
- ▼ Semi-closed vertical and Width profiles
- ▼ Closed depth profiles

EARTHING CONTINUITY



- ▼ Earthing continuity thanks to welded vertical and horizontal profiles
- ▼ Earthing continuity thanks to special design of fastener between front-rear frames and depth profiles.

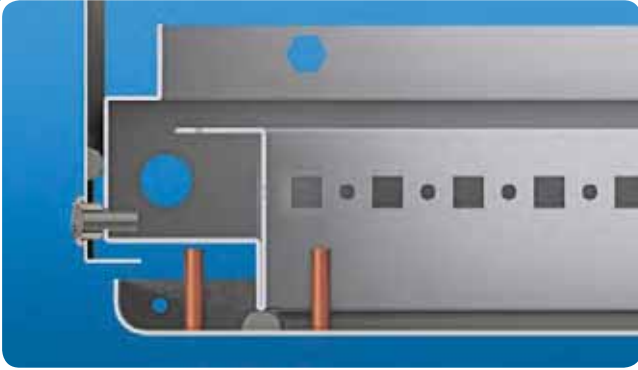
FRONT DOOR and LOCKING SYSTEM



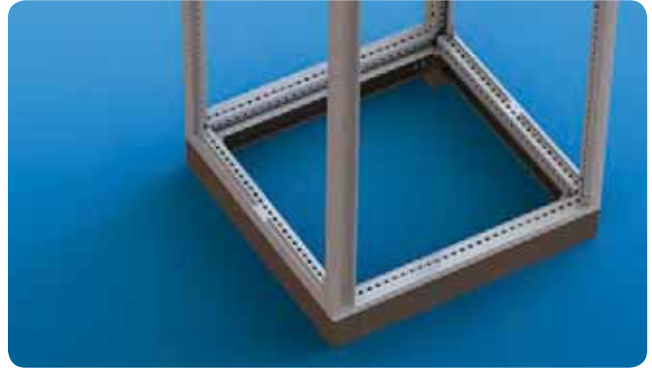
- ▼ 4 points locking and hinging system on the outside of the frame
- ▼ Pull-push working system of swing handle
- ▼ Modifiable insert system from cylinder inserts to other universal inserts like doublebit, square etc.
- ▼ Perforated door stiffeners in largest positioning.



IP PROTECTION and NEMA CATEGORIES



- ▶ IP Protection related to EN 60 529 and NEMA 12 with gland plate assembling for both single and double door.
- ▶ Using gasket for all door, rear door, side panel top cover etc. Due to this gasket, without any operation, full isolation is provided between -10°C & +50°C



- ▶ IP43 protection related to EN 60 529 and NEMA 1 without gland plate assembling for both single and double door.
- ▶ Using gasket for all door, rear door, side panel top cover etc. Due to this gasket, without any operation, full isolation is provided between -10°C & +50°C

NEO MODULAR TYPE

ASSEMBLING AND LOGISTICAL ADVANTAGES

ASSEMBLING STEP 1



ASSEMBLING STEP 2



ASSEMBLING STEP 3



ASSEMBLING STEP 4



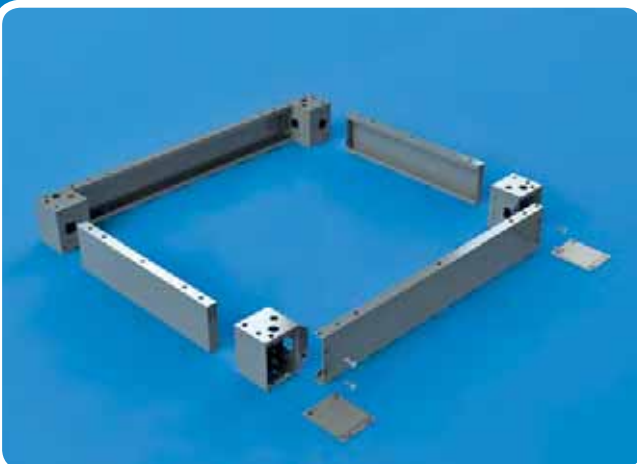
- ▶ Offered as flat package, the NEO Modular system is designed for an easy mounting in minimal amount of time. It does not require angulation for body and can be mounted 15-20 min. by two person.
- ▶ Offered as flat package, the NEO Modular system saves space during transportation and storage.

MOUNTING PLATE SYSTEM



- Neo Modular and Neo Monoblock frame system are same as Teos frame related with the internal dimensions. Therefore Mounting plate system of Teos which includes 3mm thickness and 2mm thickness can adapt to Neo Modular and Neo monoblock design.

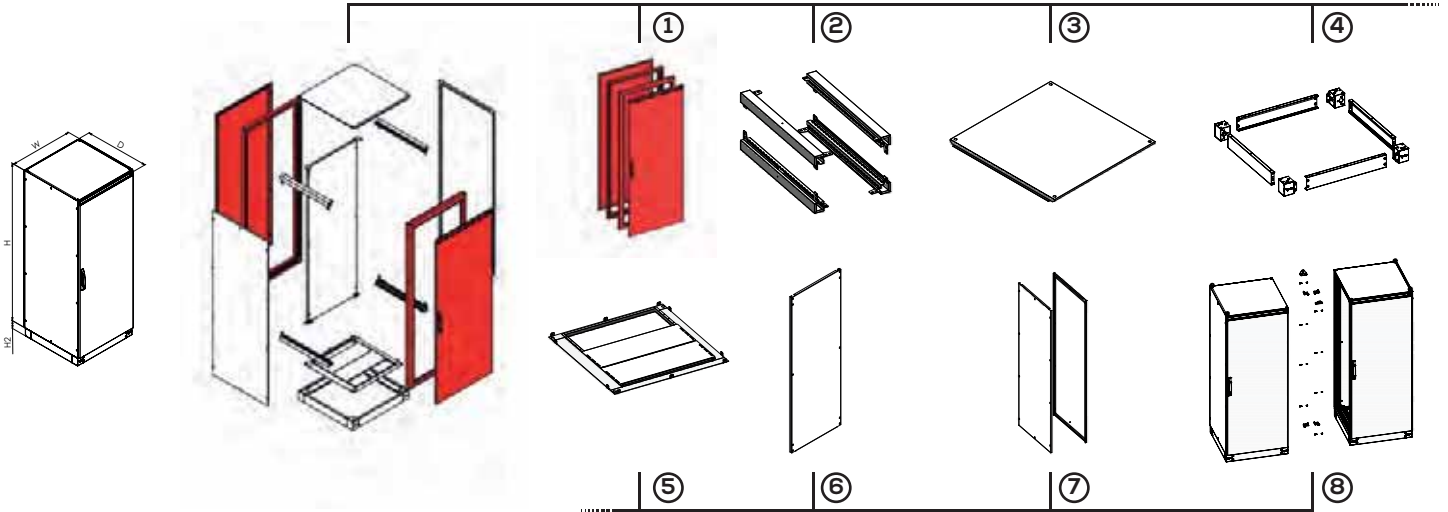
PLINTH SYSTEM



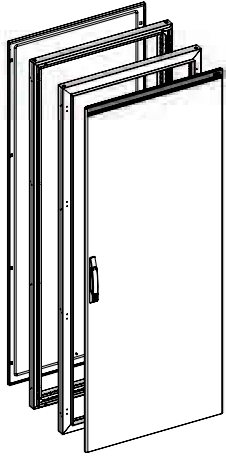
- Neo Modular and Neo monoblock frame system are same as Teos frame related with the bottom dimensions. Therefore plinth system of TEOS which includes H100mm and H200mm version can adapt to Neo Modular and Neo monoblock design.

NEO MODULAR TYPE

SIZES and MODELS (DISASSEMBLED)



STEP 1 - MAIN BODY GROUP



Material :

Welded frames : 1,50 mm galvanised steel + RAL 7035 powder coated

Front door.: 1,50 mm mild steel+ RAL 7035 powder coated

Rear Panel : 1,20 mm mild steel + RAL powder coated

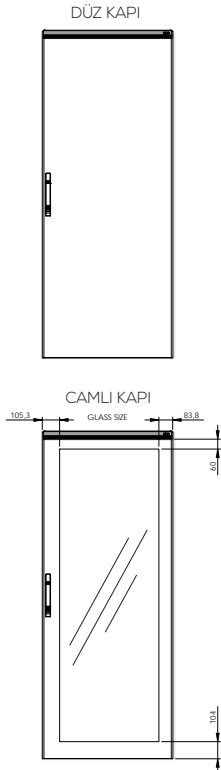
Supply includes :

2 pcs welded frame, 1 pcs front door, 1 pcs rear panel, lock-parts, hinges and required assembling parts.

Note : There are 2 version in selection. Version 1 is solid design.

Version 2 is glazed door

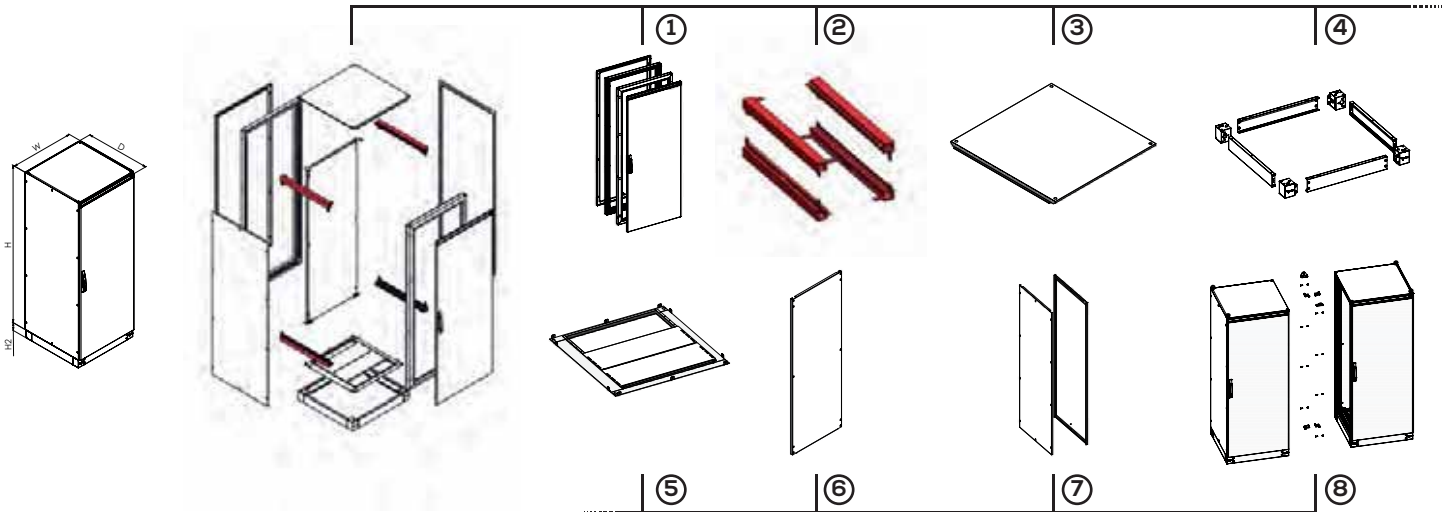
Note : 1000W and 1200W width enclosures are double doors.



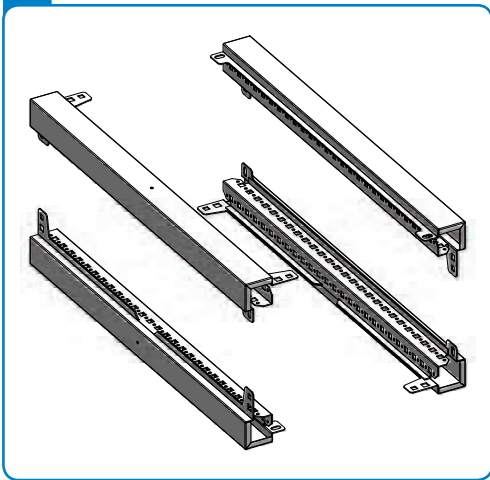
ENCLOSURE DIMENSION		REFERENCE NO.	
HEIGHT (H)	Width (W)	VERSION 1 SOLID DOOR	VERSION 2 GLAZED DOOR
1200	600	616.121	
1200	800	618.121	
1600	600	616.161	
1600	800	618.161	
1800	600	616.181	616.182
1800	800	618.181	618.182
1800	1000	610.181	
1800	1200	612.181	
2000	400	614.201	
2000	600	616.201	616.202
2000	700	617.201	617.202
2000	800	618.201	618.202
2000	1000	610.201	
2000	1200	612.201	

NEO MODULAR TYPE

SIZES and MODELS (DISASSEMBLED)



STEP 2 - FRAME DEPTH PARTS



Materials :

Depth parts : 1,50 mm mild steel + RAL 7035

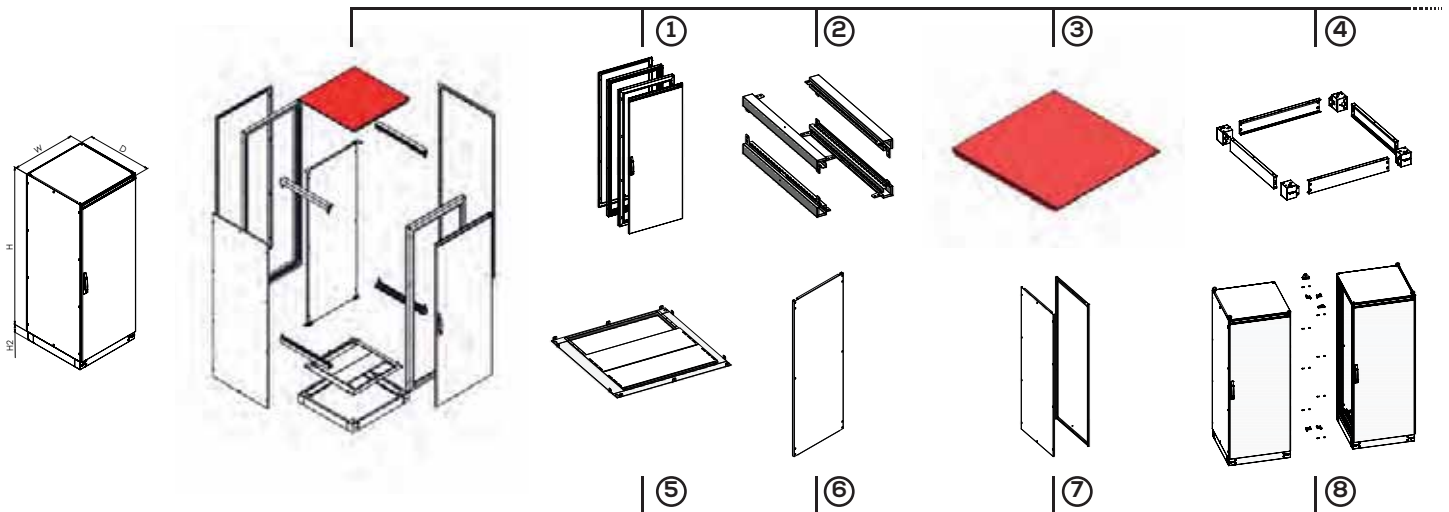
Supply includes :

4 pcs frame depth parts and required assembling parts

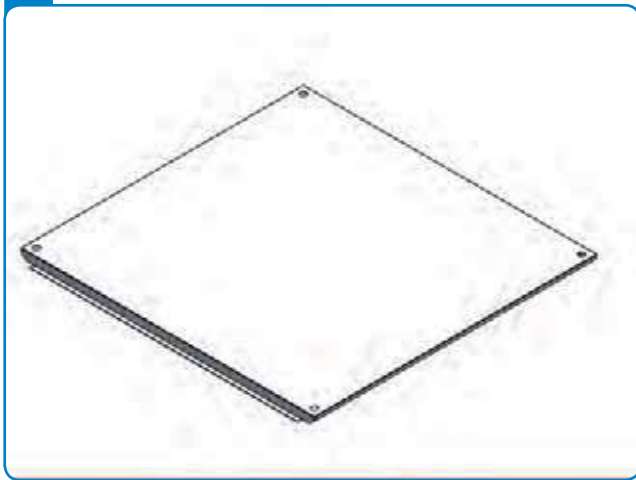
ENCLOSURE DEPTH (D)	REFERENCE NO.
400	620.400
500	620.500
600	620.600
800	620.800

NEO MODULAR TYPE

SIZES and MODELS (DISASSEMBLED)



STEP 3 - TOP COVER



Materials :

1,20 mm mild steel+ RAL 7035 powder coating

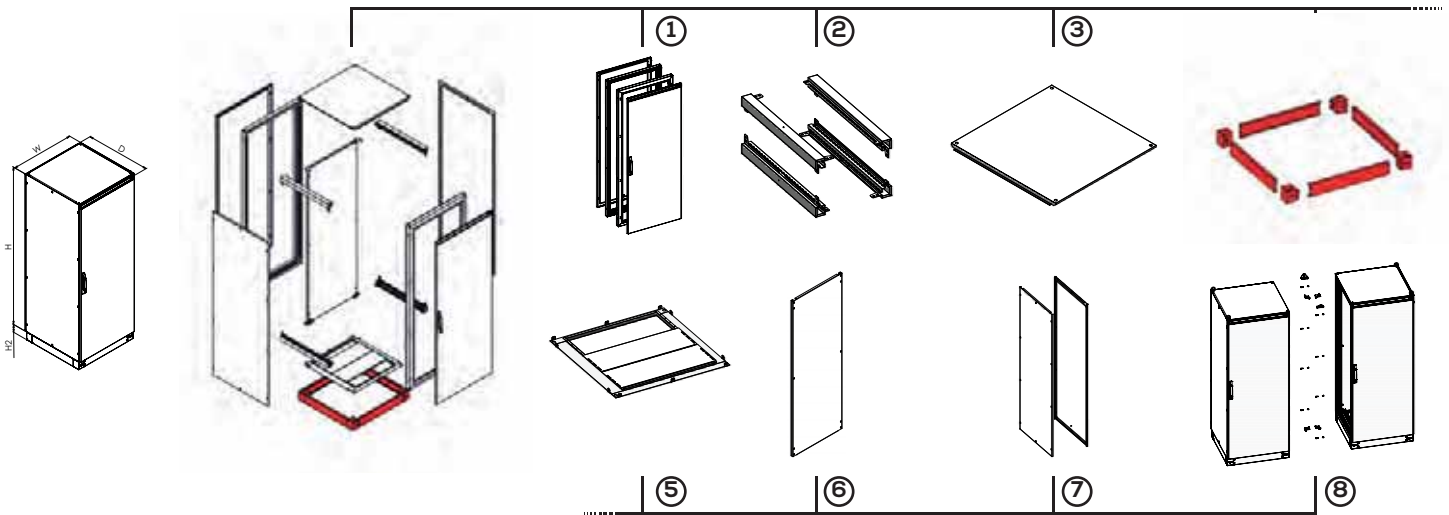
Supply includes :

1 pcs top cover and required assembling parts

ENCLOSURE DIMENSION		REFERENCE NO.	ENCLOSURE DIMENSION		REFERENCE NO.
Width (W)	DEPTH (D)		Width (W)	DEPTH (D)	
400	500	624.500	800	400	628.400
400	600	624.600		500	628.500
400	800	624.800		600	628.600
600	400	626.400		800	628.800
600	500	626.500	1000	400	621.400
600	600	626.600		500	621.500
600	800	626.800		600	621.600
700	400	627.400		800	621.800
700	500	627.500	1200	400	622.400
700	600	627.600		500	622.500
700	800	627.800		600	622.600
				800	622.800

NEO MODULAR TYPE

SIZES and MODELS (DISASSEMBLED)



STEP 4 - PLINTH PARTS

The design of Neo frame is same as Teos frame bottom sizes. Thanks to this advantage, plinth parts of Teos are available to assemble to NEO system.

PLINTH CORNER PART



Material :
 Corner part : 2,00 mm galvanized steel + RAL 7012 powder coating
 Plastic panel : RAL 7012 ABS Plastic

Suply includes : 4 pcs 100 mm or 200 mm high plinth corner part, 4 pcs plastic panel and mounting parts.

TEOS PLINTH HEIGHT (H2)	REFERENCE NO.
100	708.100
200	708.200

PLINTH FRONT COVER



Material :
 100 mm plinth front cover : 1,50 mm galvanized steel + RAL 7012 powder coating

Suply includes : 2 pcs 100 mm high plinth corner part, 4 pcs plastic panel and mounting parts.

Required : 2 set of side plinth cover group for 200 mm height plints

ENCLOSURE Width (W)	REFERENCE NO.
400	709.140
600	709.160
700	709.170
800	709.180
1000	709.100
1200	709.120

PLINTH FRONT COVER



Material :
 100 mm plinth side cover : 1,50 mm galvanized steel + RAL 7012 powder coating

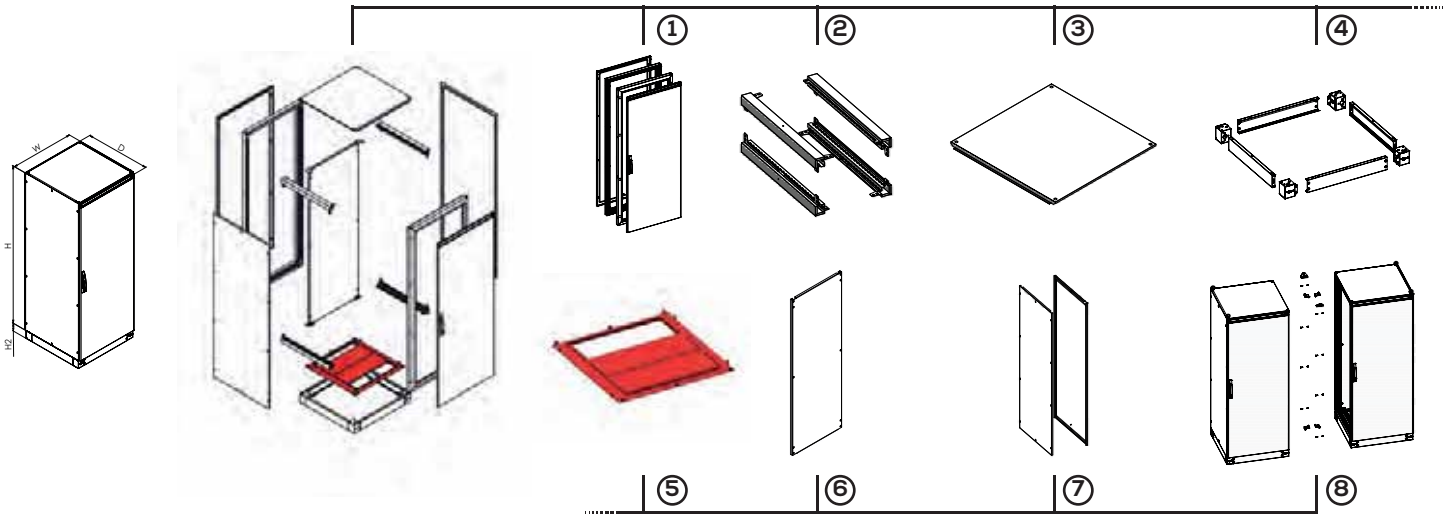
Suply includes : 2 pcs 100 mm high plinth side part, 4 pcs plastic panel and mounting parts.

Required : 2 set of side plinth cover group for 200 mm height plints

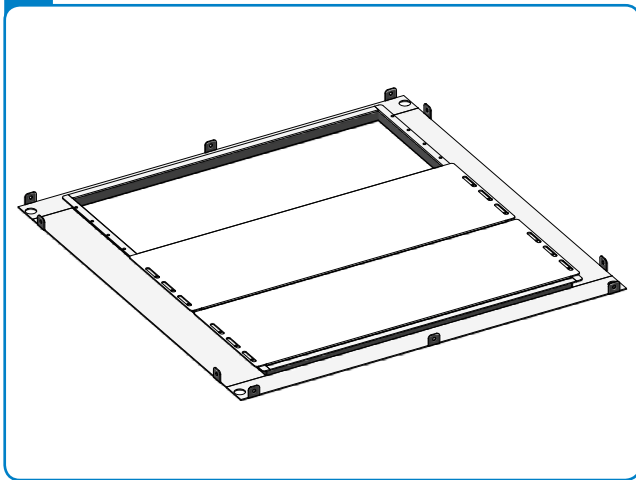
ENCLOSURE DEPTH (D)	REFERENCE NO.
400	710.140
500	710.150
600	710.160
800	710.180

NEO MODULAR TYPE

SIZES and MODELS (DISASSEMBLED)



STEP 5 - GLAND PLATE SYSTEM



Material :

Plate holder: 1,50 mm galvanized steel + RAL 7035 powder coating
 Gland Plates : 1,50 mm galvanized steel

Supply includes :

2 pcs width plate holders, 2 pcs depth plate holders, 3 or 4 pcs gland plates related with depth size

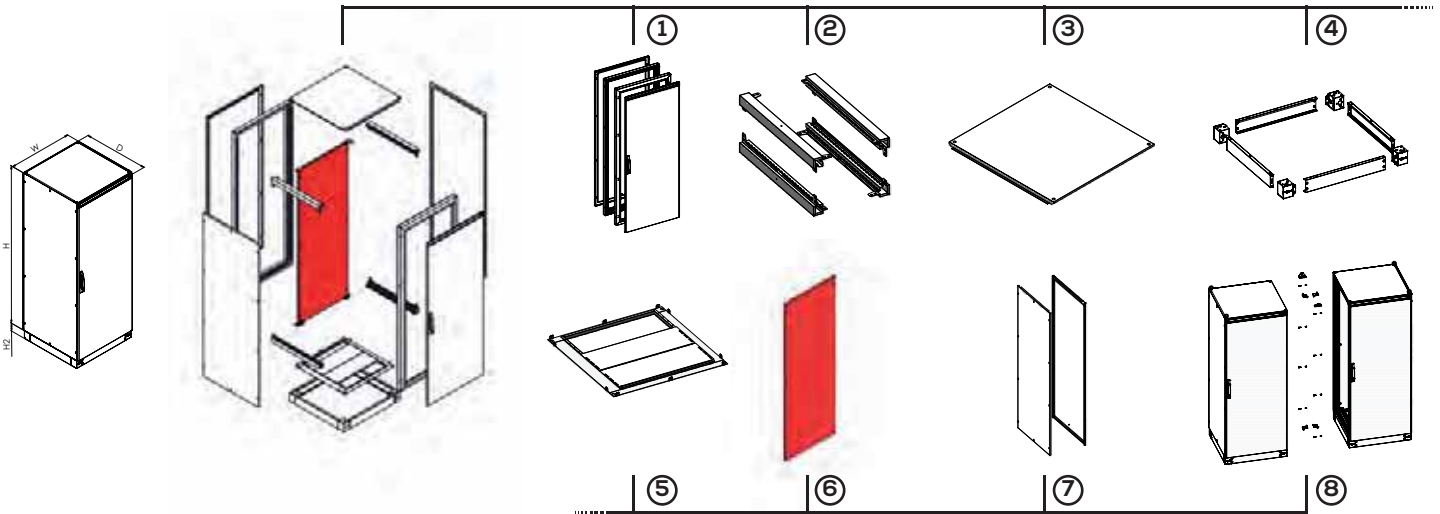
Note : The design of Neo frame is same as Teos frame bottom sizes. Thanks to this advantage, plinth parts of Teos are available to

ENCLOSURE DIMENSIONS		REFERENCE NO.
WIDTH (W)	DEPTH (D)	
400	500	634.500
	600	634.600
	800	634.800
600	400	636.400
	500	636.500
	600	636.600
700	400	637.400
	500	637.500
	600	637.600
700	800	637.800

ENCLOSURE DIMENSIONS		REFERENCE NO.
WIDTH (W)	DEPTH (D)	
800	400	638.400
	500	638.500
	600	638.600
	800	638.800
1000	400	631.400
	500	631.500
	600	631.600
1200	800	631.800
	400	632.400
	500	632.500
	600	632.600
	800	632.800

NEO MODULAR TYPE

SIZES and MODELS (DISASSEMBLED)



STEP 6 - MOUNTING PLATE (3 mm thickness)



Material:
3,00 mm galvanized steel

Supply includes :
1 pcs mounting plate and assembling parts

WIDTH	HEIGHT			
	1200	1600	1800	2000
600	707.612	707.616	707.618	707.620
700	-	-	-	707.720
800	707.812	707.816	707.818	707.820
1000	-	-	707.018	707.020
1200	-	-	707.218	707.220

STEP 6 - MOUNTING PLATES (2 mm thickness)



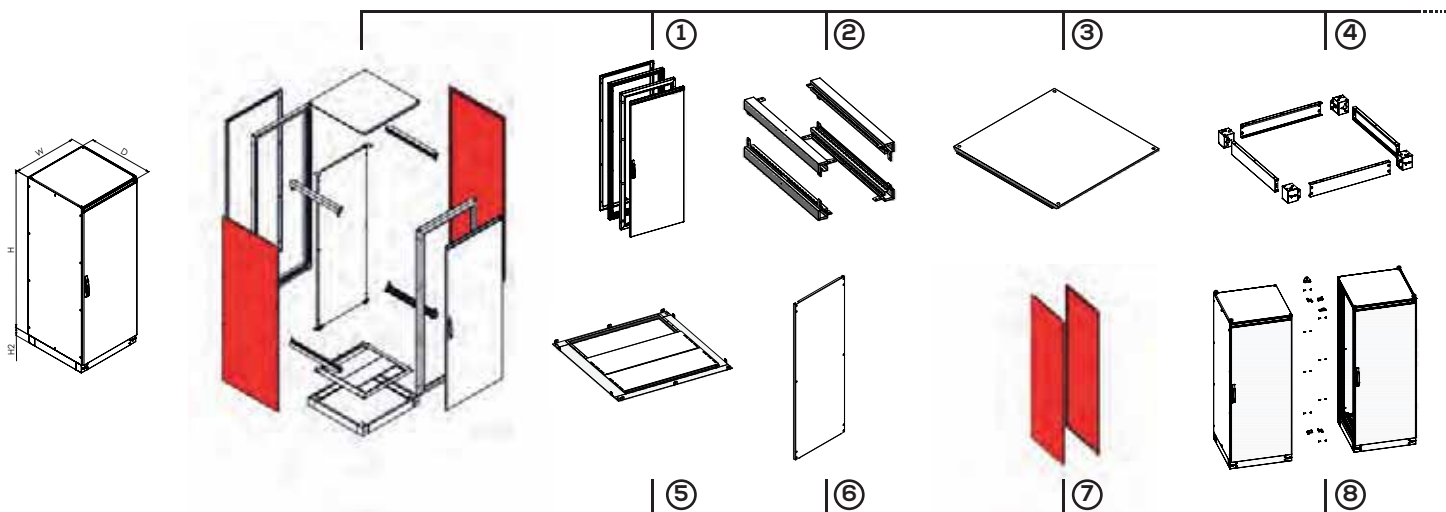
Material:
2,00 mm galvanized steel

Supply includes :
1 pcs mounting plate and assembling parts

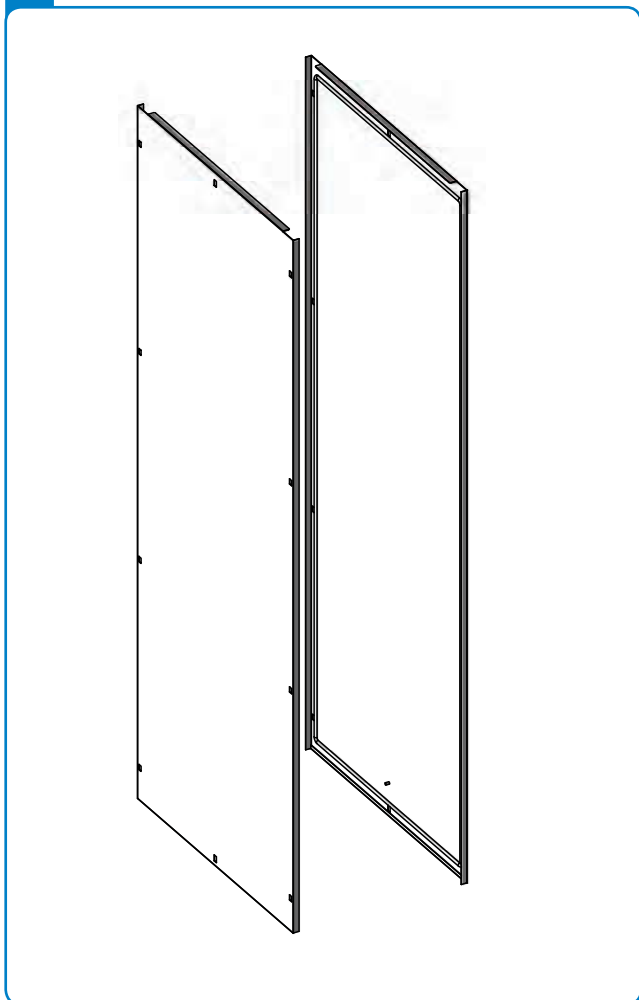
WIDTH	HEIGHT			
	1200	1600	1800	2000
600	717.612	717.616	717.618	717.620
700	-	-	-	717.720
800	717.812	717.816	717.818	717.820

NEO MODULAR TYPE

SIZES and MODELS (DISASSEMBLED)



STEP 7 - SIDE PANEL (2 pcs)



Material:

1,20 mm mild steel + RAL 7035 powder coating

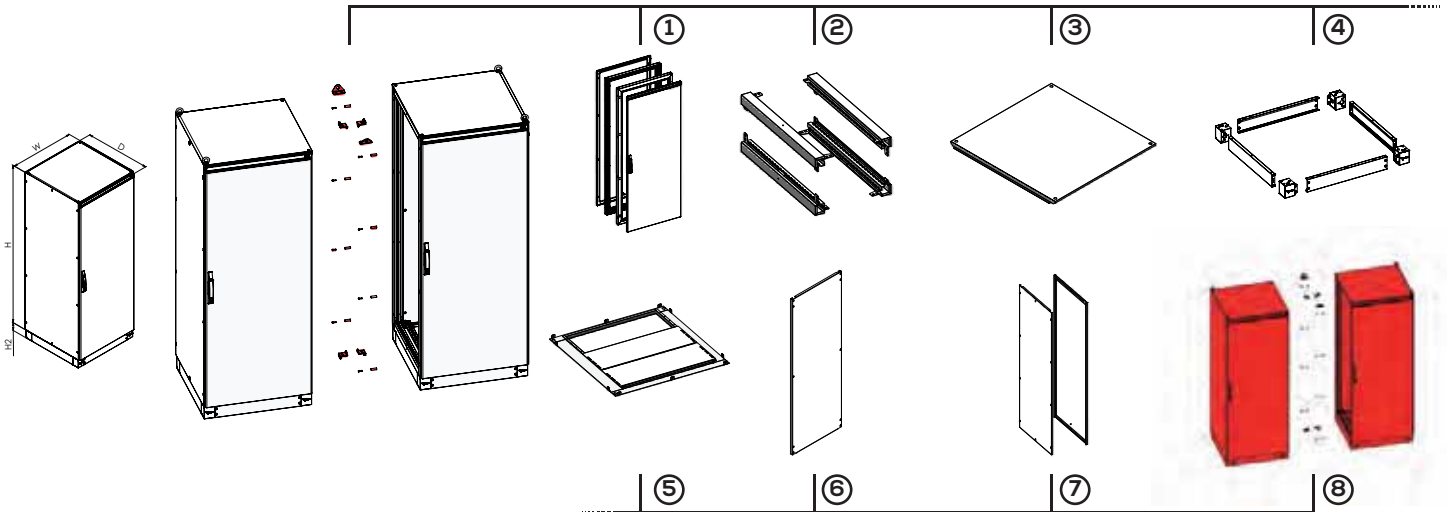
Supply includes :

2 pcs side panel and assembling parts

ENCLOSURE DIMENSION		REFERENCE NO.
WIDTH (W)	DEPTH (D)	
1200	500	632.125
1600	500	632.165
1800	400	632.184
1800	500	632.185
1800	600	632.186
2000	400	632.204
2000	500	632.205
2000	600	632.206
2000	800	632.208

NEO MODULAR TYPE

SIZES and MODELS (DISASSEMBLED)



STEP 8 - BAYING KIT

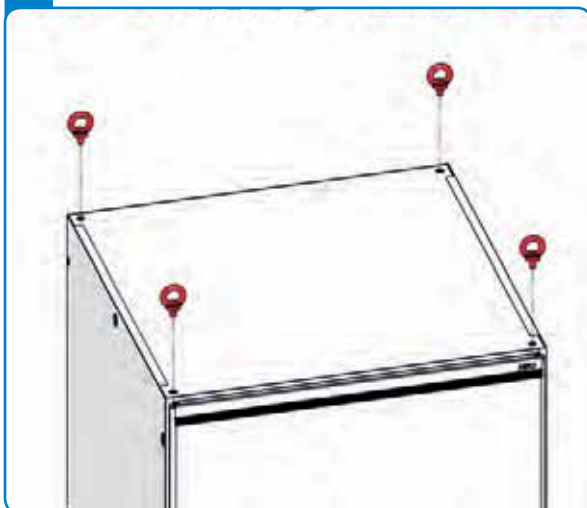


Supply includes :

2 pcs combination angles, 8 set M6 fasteners, 2 pcs adjustable bracket, 5.6m insulation gasket and assembling parts

Reference No : 611.000

STEP 8 - EYEBOLTS (4 pcs)



Supply includes :

4 pcs M12 eyebolts Reference No : 612.000

Note : It is required for each cubic and combination panels. This accessory is not included in standart package.

NEO MODULAR TYPE

SIZES and MODELS (DISASSEMBLED)

HEIGHT (H): 1200 mm

ENCLOSURE DEPTH 500 mm (D)		ENCLOSURE WIDTH mm (W)	
STEP	PRODUCT DESCRIPTION	Single Door 600	Single Door 800
1	BODY GROUP	616.121	618.121
2	DEPTH PARTS	620.500	620.500
3	TOP COVER	626.500	628.500
4(1)	PLINTH CORNER H100(H2)	708.100	708.100
4(1)	PLINTH CORNER H200(H2)	708.200	708.200
4(2)	PLINTH FRONT COVER H100(H2)	709.160	709.180
4(3)	PLINTH SIDE COVER H100(H2)	710.150	710.150
5	GLAND PLATE SYSTEM	636.500	638.500
6	MOUNTING PLATE 2,00mm	717.612	717.812
6	MOUNTING PLATE 3,00mm	707.612	707.812
7	SIDE PANEL	632.125	632.125
8(1)	NEO BAYING KIT	611.000	611.000
8(2)	EYEBOLT(4 pcs.)	612.000	612.000

HEIGHT (H): 1600 mm

ENCLOSURE DEPTH 500 mm (D)		ENCLOSURE WIDTH mm (W)	
STEP	PRODUCT DESCRIPTION	Single Door 600	Single Door 800
1	BODY GROUP	616.161	618.161
2	DEPTH PARTS	620.500	620.500
3	TOP COVER	626.500	628.500
4(1)	PLINTH CORNER H100(H2)	708.100	708.100
4(1)	PLINTH CORNER H200(H2)	708.200	708.200
4(2)	PLINTH FRONT COVER H100(H2)	709.160	709.180
4(3)	PLINTH SIDE COVER H100(H2)	710.150	710.150
5	GLAND PLATE SYSTEM	636.500	638.500
6	MOUNTING PLATE 2,00mm	717.616	717.816
6	MOUNTING PLATE 3,00mm	707.616	707.816
7	SIDE PANEL	632.165	632.165
8(1)	NEO BAYING KIT	611.000	611.000
8(2)	EYEBOLT(4 pcs.)	612.000	612.000

HEIGHT (H): 1800 mm

ENCLOSURE DEPTH 400 mm (D)		ENCLOSURE WIDTH mm (W)			
STEP	PRODUCT DESCRIPTION	Single Door 600	Single Door 800	Single Door 1000	Single Door 1200
1	BODY GROUP	616.181	618.181	610.181	612.181
2	DEPTH PARTS	620.400	620.400	620.400	620.400
3	TOP COVER	626.400	628.400	621.400	622.400
4(1)	PLINTH CORNER H100(H2)	708.100	708.100	708.100	708.100
4(1)	PLINTH CORNER H200(H2)	708.200	708.200	708.200	708.200
4(2)	PLINTH FRONT COVER H100(H2)	709.160	709.180	709.100	709.120
4(3)	PLINTH SIDE COVER H100(H2)	710.140	710.140	710.140	710.140
5	GLAND PLATE SYSTEM	636.400	638.400	631.400	632.400
6	MOUNTING PLATE 2,00mm	717.618	717.818	*	*
6	MOUNTING PLATE 3,00mm	707.618	707.818	707.018	707.218
7	SIDE PANEL	632.184	632.184	632.184	632.184
8(1)	NEO BAYING KIT	611.000	611.000	611.000	611.000
8(2)	EYEBOLT(4 pcs.)	612.000	612.000	612.000	612.000

NEO MODULAR TYPE

SIZES and MODELS (DISASSEMBLED)

HEIGHT (H): 1800 mm

ENCLOSURE DEPTH 500 mm (D)		ENCLOSURE WIDTH mm (W)			
STEP	PRODUCT DESCRIPTION	Single Door 600	Single Door 800	Single Door 1000	Single Door 1200
1	BODY GROUP	616.181	618.181	610.181	612.181
2	DEPTH PARTS	620.500	620.500	620.500	620.500
3	TOP COVER	626.500	628.500	621.500	622.500
4(1)	PLINTH CORNER H100(H2)	708.100	708.100	708.100	708.100
4(1)	PLINTH CORNER H200(H2)	708.200	708.200	708.200	708.200
4(2)	PLINTH FRONT COVER H100(H2)	709.160	709.180	709.100	709.120
4(3)	PLINTH SIDE COVER H100(H2)	710.150	710.150	710.150	710.150
5	GLAND PLATE SYSTEM	636.500	638.500	631.500	632.500
6	MOUNTING PLATE 2,00mm	717.618	717.818	*	*
6	MOUNTING PLATE 3,00mm	707.618	707.818	707.018	707.218
7	SIDE PANEL	632.185	632.185	632.185	632.185
8(1)	NEO BAYING KIT	611.000	611.000	611.000	611.000
8(2)	EYEBOLT(4 pcs.)	612.000	612.000	612.000	612.000

HEIGHT (H): 1800 mm

ENCLOSURE DEPTH 600 mm (D)		ENCLOSURE WIDTH mm (W)			
STEP	PRODUCT DESCRIPTION	Single Door 600	Single Door 800	Single Door 1000	Single Door 1200
1	BODY GROUP	616.181	618.181	610.181	612.181
2	DEPTH PARTS	620.600	620.600	620.600	620.600
3	TOP COVER	626.600	628.600	621.600	622.600
4(1)	PLINTH CORNER H100(H2)	708.100	708.100	708.100	708.100
4(1)	PLINTH CORNER H200(H2)	708.200	708.200	708.200	708.200
4(2)	PLINTH FRONT COVER H100(H2)	709.160	709.180	709.100	709.120
4(3)	PLINTH SIDE COVER H100(H2)	710.160	710.160	710.160	710.160
5	GLAND PLATE SYSTEM	636.600	638.600	631.600	632.600
6	MOUNTING PLATE 2,00mm	717.618	717.818	*	*
6	MOUNTING PLATE 3,00mm	707.618	707.818	707.018	707.218
7	SIDE PANEL	632.186	632.186	632.186	632.186
8(1)	NEO BAYING KIT	611.000	611.000	611.000	611.000
8(2)	EYEBOLT(4 pcs.)	612.000	612.000	612.000	612.000

HEIGHT (H): 2000 mm

ENCLOSURE DEPTH 400 mm (D)		ENCLOSURE WIDTH mm (W)					
STEP	PRODUCT DESCRIPTION	Single Door 400	Single Door 600	Single Door 700	Single Door 800	Single Door 1000	Single Door 1200
1	BODY GROUP	*	616.201	617.201	618.201	610.201	612.201
2	DEPTH PARTS	*	620.400	620.400	620.400	620.400	620.400
3	TOP COVER	*	626.400	627.400	628.400	621.400	622.400
4(1)	PLINTH CORNER H100(H2)	*	708.100	708.100	708.100	708.100	708.100
4(1)	PLINTH CORNER H200(H2)	*	708.200	708.200	708.200	708.200	708.200
4(2)	PLINTH FRONT COVER H100(H2)	*	709.160	709.170	709.180	709.100	709.120
4(3)	PLINTH SIDE COVER H100(H2)	*	710.140	710.140	710.140	710.140	710.140
5	GLAND PLATE SYSTEM	*	636.400	637.400	638.400	631.400	632.400
6	MOUNTING PLATE 2,00mm	*	717.620	717.720	717.820	*	*
6	MOUNTING PLATE 3,00mm	*	707.620	707.720	707.820	707.020	707.220
7	SIDE PANEL	*	632.204	632.204	632.204	632.204	632.204
8(1)	NEO BAYING KIT	*	611.000	611.000	611.000	611.000	611.000
8(2)	EYEBOLT(4 pcs.)	*	612.000	612.000	612.000	612.000	612.000

NEO MODULAR TYPE

SIZES and MODELS (DISASSEMBLED)

HEIGHT (H): 2000 mm

ENCLOSURE DEPTH 500 mm (D)		ENCLOSURE WIDTH mm (W)					
STEP	PRODUCT DESCRIPTION	Single Door 400	Single Door 600	Single Door 700	Single Door 800	Single Door 1000	Single Door 1200
1	BODY GROUP	614.201	616.201	617.201	618.201	610.201	612.201
2	DEPTH PARTS	620.500	620.500	620.500	620.500	620.500	620.500
3	TOP COVER	624.500	626.500	627.500	628.500	621.500	622.500
4(1)	PLINTH CORNER H100(H2)	708.100	708.100	708.100	708.100	708.100	708.100
4(1)	PLINTH CORNER H200(H2)	708.200	708.200	708.200	708.200	708.200	708.200
4(2)	PLINTH FRONT COVER H100(H2)	709.140	709.160	709.170	709.180	709.100	709.120
4(3)	PLINTH SIDE COVER H100(H2)	710.150	710.150	710.150	710.150	710.150	710.150
5	GLAND PLATE SYSTEM	634.500	636.500	637.500	638.500	631.500	632.500
6	MOUNTING PLATE 2,00mm	*	717.620	717.720	717.820	*	*
6	MOUNTING PLATE 3,00mm	*	707.620	707.720	707.820	707.020	707.220
7	SIDE PANEL	632.205	632.205	632.205	632.205	632.205	632.205
8(1)	NEO BAYING KIT	611.000	611.000	611.000	611.000	611.000	611.000
8(2)	EYEBOLT(4 pcs.)	612.000	612.000	612.000	612.000	612.000	612.000

HEIGHT (H): 2000 mm

ENCLOSURE DEPTH 600 mm (D)		ENCLOSURE WIDTH mm (W)					
STEP	PRODUCT DESCRIPTION	Single Door 400	Single Door 600	Single Door 700	Single Door 800	Single Door 1000	Single Door 1200
1	BODY GROUP	614.201	616.201	617.201	618.201	610.201	612.201
2	DEPTH PARTS	620.600	620.600	620.600	620.600	620.600	620.600
3	TOP COVER	624.600	626.600	627.600	628.600	621.600	622.600
4(1)	PLINTH CORNER H100(H2)	708.100	708.100	708.100	708.100	708.100	708.100
4(1)	PLINTH CORNER H200(H2)	708.200	708.200	708.200	708.200	708.200	708.200
4(2)	PLINTH FRONT COVER H100(H2)	709.140	709.160	709.170	709.180	709.100	709.120
4(3)	PLINTH SIDE COVER H100(H2)	710.150	710.150	710.150	710.150	710.150	710.150
5	GLAND PLATE SYSTEM	634.600	636.600	637.600	638.600	631.600	632.600
6	MOUNTING PLATE 2,00mm	*	717.620	717.720	717.820	*	*
6	MOUNTING PLATE 3,00mm	*	707.620	707.720	707.820	707.020	707.220
7	SIDE PANEL	632.206	632.206	632.206	632.206	632.206	632.206
8(1)	NEO BAYING KIT	611.000	611.000	611.000	611.000	611.000	611.000
8(2)	EYEBOLT(4 pcs.)	612.000	612.000	612.000	612.000	612.000	612.000

HEIGHT (H): 2000 mm

ENCLOSURE DEPTH 800 mm (D)		ENCLOSURE WIDTH mm (W)					
STEP	PRODUCT DESCRIPTION	Single Door 400	Single Door 600	Single Door 700	Single Door 800	Single Door 1000	Single Door 1200
1	BODY GROUP	614.201	616.201	617.201	618.201	610.201	612.201
2	DEPTH PARTS	620.800	620.800	620.800	620.800	620.800	620.800
3	TOP COVER	624.800	626.800	627.800	628.800	621.800	622.800
4(1)	PLINTH CORNER H100(H2)	708.100	708.100	708.100	708.100	708.100	708.100
4(1)	PLINTH CORNER H200(H2)	708.200	708.200	708.200	708.200	708.200	708.200
4(2)	PLINTH FRONT COVER H100(H2)	709.140	709.160	709.170	709.180	709.100	709.120
4(3)	PLINTH SIDE COVER H100(H2)	710.150	710.150	710.150	710.150	710.150	710.150
5	GLAND PLATE SYSTEM	634.800	636.800	637.800	638.800	631.800	632.800
6	MOUNTING PLATE 2,00mm	*	717.620	717.720	717.820	*	*
6	MOUNTING PLATE 3,00mm	*	707.620	707.720	707.820	707.020	707.220
7	SIDE PANEL	632.208	632.208	632.208	632.208	632.208	632.208
8(1)	NEO BAYING KIT	611.000	611.000	611.000	611.000	611.000	611.000
8(2)	EYEBOLT(4 pcs.)	612.000	612.000	612.000	612.000	612.000	612.000

NEO MODULAR TYPE

SIZES and MODELS (ASSEMBLED)

SOLID DOOR, MOUNTING PLATE						
Height (H) 1200						Side Panel (2 pcs)
WIDTH (W)	HEIGHT(H)	DEPTH(D)	Without plinth	H100 Plinth	H200Plinth	
600	1200	500	646.125.011	646.125.111	646.125.211	632.125
800	1200	500	648.125.011	648.125.111	648.125.211	632.125

SOLID DOOR, without MOUNTING PLATE						
Height (H) 1200						Side Panel (2 pcs)
WIDTH (W)	HEIGHT(H)	DEPTH(D)	Without plinth	H100 Plinth	H200Plinth	
600	1200	500	646.125.000	646.125.100	646.125.200	632.125
800	1200	500	648.125.000	648.125.100	648.125.200	632.125

- !!! Attention** : Mounting plate's thickness is standard 2mm for 600W-800W, but; for 1000W-1200W chosen 3,00mm thickness.
!! Required : For panel assembly, a baying kit is required for each baying point. Baying Kit Reference No: 611.000
!! Attention : If the carrier Eyebolt is required for each column in single column panels and for each combined system in combined systems. Eyebolt(pcs) Referans No : 612.000

SOLID DOOR, MOUNTING PLATE						
Height (H) 1600						Side Panel (2 pcs)
WIDTH (W)	HEIGHT(H)	DEPTH(D)	Without plinth	H100 Plinth	H200Plinth	
600	1600	500	646.165.011	646.165.111	646.165.211	632.165
800	1600	500	648.165.011	648.165.111	648.165.211	632.165

SOLID DOOR, without MOUNTING PLATE						
Height (H) 1600						Side Panel (2 pcs)
WIDTH (W)	HEIGHT(H)	DEPTH(D)	Without plinth	H100 Plinth	H200Plinth	
600	1600	500	646.165.000	646.165.100	646.165.200	632.165
800	1600	500	648.165.000	648.165.100	648.165.200	632.165

- !!! Attention** : Mounting plate's thickness is standard 2mm for 600W-800W, but; for 1000W-1200W chosen 3,00mm thickness.
!! Required : For panel assembly, a baying kit is required for each baying point. Baying Kit Reference No: 611.000
!! Attention : If the carrier Eyebolt is required for each column in single column panels and for each combined system in combined systems. Eyebolt(pcs) Referans No : 612.000

NEO MODULAR TYPE

SIZES and MODELS (ASSEMBLED)

Height (H) 1800		SOLID DOOR, MOUNTING PLATE			Side Panel (2 pcs)	SOLID DOOR, without MOUNTING PLATE		
Width (W)	Depth (D)	Without Plinth	H100 with Plinth	H200 with Plinth		Without Plinth	H100 with Plinth	H200 with Plinth
600	400	646.184.011	646.184.111	646.184.211	632.184	646.184.000	646.184.100	646.184.200
600	500	646.185.011	646.185.111	646.185.211	632.185	646.185.000	646.185.100	646.185.200
600	600	646.186.011	646.186.111	646.186.211	632.186	646.186.000	646.186.100	646.186.200
800	400	648.184.011	648.184.111	648.184.211	632.184	648.184.000	648.184.100	648.184.200
800	500	648.185.011	648.185.111	648.185.211	632.185	648.185.000	648.185.100	648.185.200
800	600	648.186.011	648.186.111	648.186.211	632.186	648.186.000	648.186.100	648.186.200
1000	400	640.184.011	640.184.111	640.184.211	632.184	640.184.000	640.184.100	640.184.200
1000	500	640.185.011	640.185.111	640.185.211	632.185	640.185.000	640.185.100	640.185.200
1000	600	640.186.011	640.186.111	640.186.211	632.186	640.186.000	640.186.100	640.186.200
1200	400	642.184.011	642.184.111	642.184.211	632.184	642.184.000	642.184.100	642.184.200
1200	500	642.185.011	642.185.111	642.185.211	632.185	642.185.000	642.185.100	642.185.200
1200	600	642.186.011	642.186.111	642.186.211	632.186	642.186.000	642.186.100	642.186.200

Height (H) 1800		GLAZED DOOR, MOUNTING PLATE			Side Panel (2 pcs)	GLAZED DOOR, without MOUNTING PLATE		
Width (W)	Depth (D)	Without Plinth	H100 with Plinth	H200 with Plinth		Without Plinth	H100 with Plinth	H200 with Plinth
600	400	676.184.011	676.184.111	676.184.211	632.184	676.184.000	676.184.100	676.184.200
600	500	676.185.011	676.185.111	676.185.211	632.185	676.185.000	676.185.100	676.185.200
600	600	676.186.011	676.186.111	676.186.211	632.186	676.186.000	676.186.100	676.186.200
800	400	678.184.011	678.184.111	678.184.211	632.184	678.184.000	678.184.100	678.184.200
800	500	678.185.011	678.185.111	678.185.211	632.185	678.185.000	678.185.100	678.185.200
800	600	678.186.011	678.186.111	678.186.211	632.186	678.186.000	678.186.100	678.186.200

- !!! Attention** : Mounting plate's thickness is standard 2mm for 600W-800W, but; for 1000W-1200W chosen 3,00mm thickness.
- !! Required** : For panel assembly, a baying kit is required for each baying point. Baying Kit Reference No: 611.000
- !! Attention** : If the carrier Eyebolt is required for each column in single column panels and for each combined system in combined systems.
Eyebolt(pcs) Referans No : 612.000

NEO MODULAR TYPE

SIZES and MODELS (ASSEMBLED)

Height (H) 2000		SOLID DOOR, MOUNTING PLATE			Side Panel (2 pcs)	SOLID DOOR, without MOUNTING PLATE		
Width (W)	Depth (D)	Without Plinth	H100 with Plinth	H200 with Plinth		Without Plinth	H100 with Plinth	H200 with Plinth
400	500	*	*	*	632.205	644.205.000	644.205.100	644.205.200
400	600	*	*	*	632.206	644.206.000	644.206.100	644.206.200
400	800	*	*	*	632.208	644.208.000	644.208.100	644.208.200
600	400	646.204.011	646.204.111	646.204.211	632.204	646.204.000	646.204.100	646.204.200
600	500	646.205.011	646.205.111	646.205.211	632.205	646.205.000	646.205.100	646.205.200
600	600	646.206.011	646.206.111	646.206.211	632.206	646.206.000	646.206.100	646.206.200
600	800	646.208.011	646.208.111	646.208.211	632.208	646.208.000	646.208.100	646.208.200
700	400	647.204.011	647.204.111	647.204.211	632.204	647.204.000	647.204.100	647.204.200
700	500	647.205.011	647.205.111	647.205.211	632.205	647.205.000	647.205.100	647.205.200
700	600	647.206.011	647.206.111	647.206.211	632.206	647.206.000	647.206.100	647.206.200
700	800	647.208.011	647.208.111	647.208.211	632.208	647.208.000	647.208.100	647.208.200
800	400	648.204.011	648.204.111	648.204.211	632.204	648.204.000	648.204.100	648.204.200
800	500	648.205.011	648.205.111	648.205.211	632.205	648.205.000	648.205.100	648.205.200
800	600	648.206.011	648.206.111	648.206.211	632.206	648.206.000	648.206.100	648.206.200
800	800	648.208.011	648.208.111	648.208.211	632.208	648.208.000	648.208.100	648.208.200
1000	400	640.204.011	640.204.111	640.204.211	632.204	640.204.000	640.204.100	640.204.200
1000	500	640.205.011	640.205.111	640.205.211	632.205	640.205.000	640.205.100	640.205.200
1000	600	640.206.011	640.206.111	640.206.211	632.206	640.206.000	640.206.100	640.206.200
1000	800	640.208.011	640.208.111	640.208.211	632.208	640.208.000	640.208.100	640.208.200
1200	400	642.204.011	642.204.111	642.204.211	632.204	642.204.000	642.204.100	642.204.200
1200	500	642.205.011	642.205.111	642.205.211	632.205	642.205.000	642.205.100	642.205.200
1200	600	642.206.011	642.206.111	642.206.211	632.206	642.206.000	642.206.100	642.206.200
1200	800	642.208.011	642.208.111	642.208.211	632.208	642.208.000	642.208.100	642.208.200

Height (H) 2000		GLAZED DOOR, MOUNTING PLATE			Side Panel (2 pcs)	GLAZED DOOR, without MOUNTING PLATE		
Width (W)	Depth (D)	Without Plinth	H100 with Plinth	H200 with Plinth		Without Plinth	H100 with Plinth	H200 with Plinth
600	400	676.204.011	676.204.111	676.204.211	632.204	676.204.000	676.204.100	676.204.200
600	500	676.205.011	676.205.111	676.205.211	632.205	676.205.000	676.205.100	676.205.200
600	600	676.206.011	676.206.111	676.206.211	632.206	676.206.000	676.206.100	676.206.200
600	800	676.208.011	676.208.111	676.208.211	632.208	676.208.000	676.208.100	676.208.200
700	400	677.204.011	677.204.111	677.204.211	632.204	677.204.000	677.204.100	677.204.200
700	500	677.205.011	677.205.111	677.205.211	632.205	677.205.000	677.205.100	677.205.200
700	600	677.206.011	677.206.111	677.206.211	632.206	677.206.000	677.206.100	677.206.200
700	800	677.208.011	677.208.111	677.208.211	632.208	677.208.000	677.208.100	677.208.200
800	400	678.204.011	678.204.111	678.204.211	632.204	678.204.000	678.204.100	678.204.200
800	500	678.205.011	678.205.111	678.205.211	632.205	678.205.000	678.205.100	678.205.200
800	600	678.206.011	678.206.111	678.206.211	632.206	678.206.000	678.206.100	678.206.200
800	800	678.208.011	678.208.111	678.208.211	632.208	678.208.000	678.208.100	678.208.200

- !!! Attention** : Mounting plate's thickness is standard 2mm for 600W-800W, but; for 1000W-1200W chosen 3,00mm thickness.
- !! Required** : For panel assembly, a baying kit is required for each baying point. Baying Kit Reference No : 611.000
- !! Attention** : If the carrier Eyebolt is required for each column in single column panels and for each combined system in combined systems. Eyebolt(pcs) Referans No : 612.000