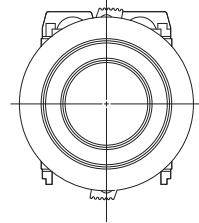
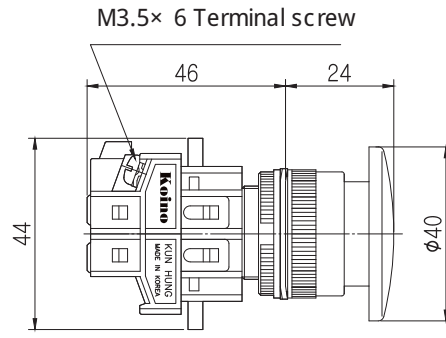
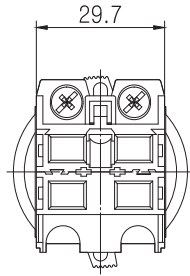
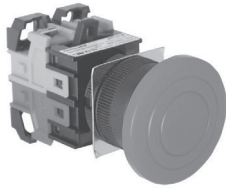


Dimensions

KH- 2201EB

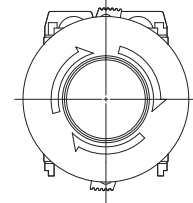
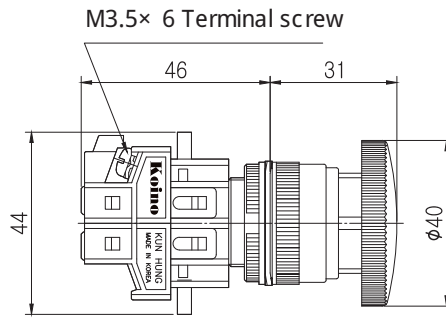
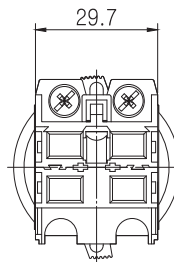
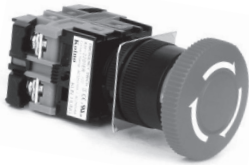


M3.5× 6 Terminal screw

CONTROL COMPONENTS

MICRO SWITCH

KH- 2201ER

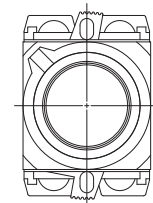
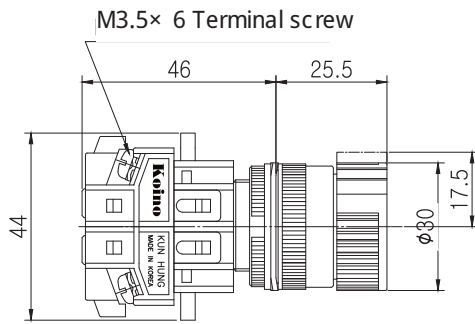
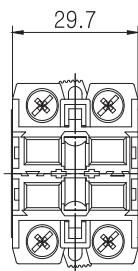


M3.5× 6 Terminal screw

FOOT SWITCH

LIMIT SWITCH

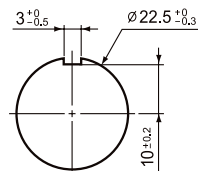
KH- 2201S



M3.5× 6 Terminal screw

POWER SWITCH

HOIST SWITCH



Panel Cut

CAM SWITCH