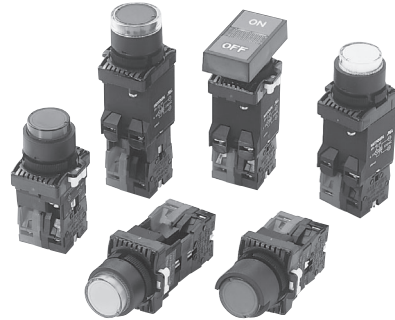


AR series

Illuminated push button switch

- Ø22 and Ø25 hole installation applicable due to the direction of inserting panel fixing nut
- Simple mounting and dismantling between actuator and contact / transformer
- Various square actuators
- Consecutive installation possible due to the 37 mm x 41 mm installation space



Control switch
Combination display light

Power switch
Main switch
Cam switch

Limit switch
Micro switch

Hoist switch
Foot switch
Mono lever switch

Sign tower
Signal light

Buzzer
Terminal block
Fuse holder

Control box
Cable connector

Discontinued Products

Suffix code


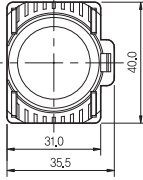
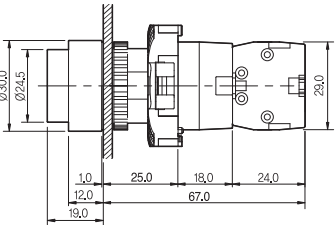

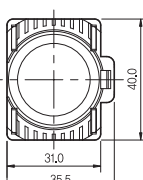
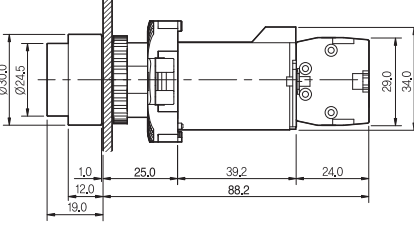

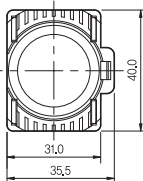
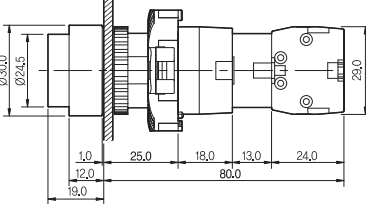
Model	Code	Description
ARX-	<input type="checkbox"/> <input type="checkbox"/> <input type="checkbox"/> <input type="checkbox"/> <input type="checkbox"/>	Illuminated push button switch
Actuator type	P	Extended type
	G	Full guard type
	H	Half guard type
	S	ON · OFF push type
Operation function	1	Momentary
	2	Alternate ※ Except ARX-S
Contact composition	10	1a Contact
	20	1b Contact
	12	1a1b Contact
	11	2a Contact
	22	2b Contact
Power supply voltage	A1	110 V a.c
	A2	220 V a.c
	LA1	110 V a.c
	LA2	220 V a.c
	L6	6 V
	L12	12 V
	L24	24 V
	LB1	110 V
	LB2	220 V
	B6	6.3 V
	B12	12 V
	B24	24 V
Color of actuator	R	RED
	G	GREEN
	Y	YELLOW
	W	WHITE
	A	BLUE

※ Actuator color of type ARX-S: red, green and assigned color


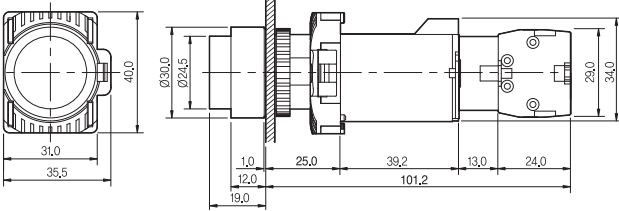

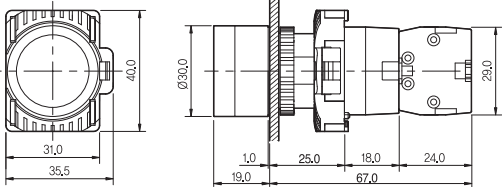

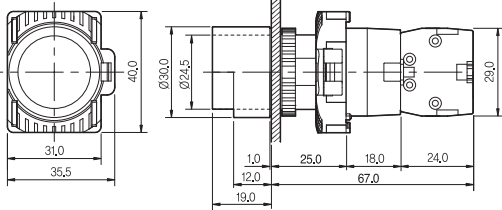
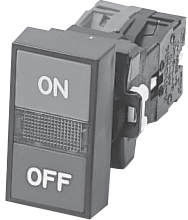
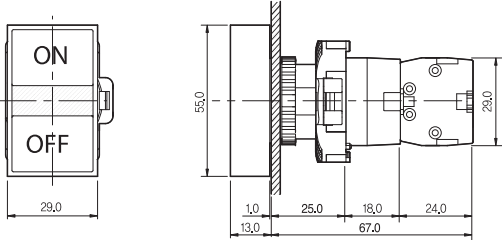
●● Incandescent lamp and LED specification

Classification	Power supply voltage (1st)	Incandescent lamp and LED capacity		Base
incandescent lamp	110 V, 220 V a.c (transformer voltages dropping)	6.3 V	150 mA	BA9S (Pin type)
	Without voltage dropping unit	12 V	80 mA	
		24 V	40 mA	
LED	110 V, 220 V a.c (transformer voltages dropping)	6 V	72 mA	
	Without voltage dropping unit	12 V	36 mA	
		24 V	20 mA	
		110 V	5 mA	
		220 V	3 mA	

●● Dimension (unit : mm)

Model	Appearance	Dimension	
ARX-P Without voltage dropping (alternative operation)			
ARX-P Transformer attached (momentary operation)			
ARX-P Without voltage dropping (alternative operation)			

AR series

Model	Appearance	Dimension
ARX-P Transformer attached (alternative operation)		
ARX-G Without voltage dropping (momentary operation)		
ARX-H Without voltage dropping (momentary operation)		
ARX-S Without voltage dropping (momentary operation)		

※ ARX-S indication I and O are optional

Control switch
Combination display light

Power switch
Main switch
Cam switch

Limit switch
Micro switch

Hoist switch
Foot switch
Mono lever switch

Signal tower
Signal light

Buzzer
Terminal block
Fuse holder

Control box
Cable connector

Discontinued Products