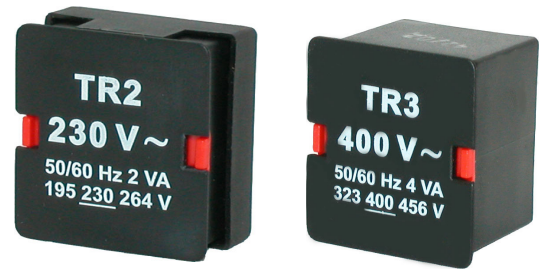




Accessories - Load monitors

- Powermodules
- Mounting plate
- Front cover for GAMMA series



Powermodules - TR series and switching power supply - SNT series

Technical Data

1. Function

Plug-in power modul for transforming the supply voltage of TELE load monitors series GAMMA and VOX to internal operating voltage.

2. Mechanische Ausführung

Sealed self-extinguishing plastic housing. IP-rating IP40 (if mounted). Installation by plugging into the side mounting whole of the monitoring relay.

3. Electrical data and types

Galvanic separated transformer module between input and output circuit.

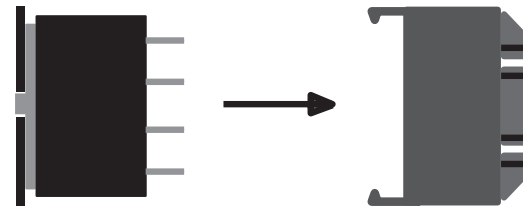
Supply voltage: see table
 Tolerance: see table
 Rated frequency: 50/60Hz
 Duration of operation: 100%

4. Ambient conditions

Ambient temperature: -25 to +55°C
 Storage temperature: -25 to +70°C
 Transport temperature: -25 to +70°C
 Relative humidity: 15% to 85%

5. Mounting

For mounting the module first the protective cup has to be removed. The module than can be concisely plugged into the mounting whole of the TELE load monitor.

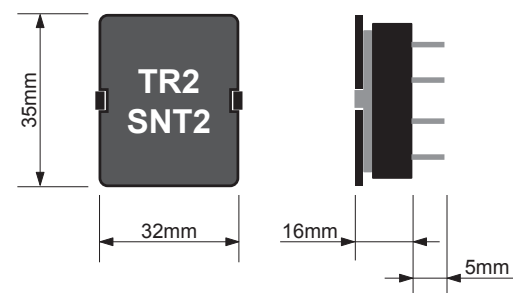


Nominal voltage	Type	P _{in}	P _{out}	Design	Tolerance
12V AC	TR2 - 12V AC	2VA	0.5VA	A	10,2 - 13,2V
	TR3 - 12V AC	4VA	1.5VA	B	10,2 - 13,2V
24V AC	TR2 - 24V AC	2VA	0.5VA	A	20,2 - 26,4V
	TR3 - 24V AC	4VA	1.5VA	B	20,4 - 26,4V
24V DC	SNT2 - 24V DC			A	20,4 - 26,4V
42V AC	TR2 - 42V AC	2VA	0.5VA	A	36 - 46V
	TR3 - 42V AC	4VA	1.5VA	B	36 - 46V
48V AC	TR2 - 48V AC	2VA	0.5VA	A	41 - 53V
	TR3 - 48V AC	4VA	1.5VA	B	41 - 53V
110V AC	TR2 - 110V AC	2VA	0.5VA	A	94 - 121V
	TR3 - 110V AC	4VA	1.5VA	B	94 - 121V
127V AC	TR2 - 127V AC	2VA	0.5VA	A	108 - 140V
	TR3 - 127V AC	4VA	1.5VA	B	108 - 140V
230V AC	TR2 - 230V AC	2VA	0.5VA	A	195 - 264V
	TR3 - 230V AC	4VA	1.5VA	B	184 - 264V
400V AC	TR2 - 400V AC	2VA	0.5VA	A	340 - 456V
	TR3 - 400V AC	4VA	1.5VA	B	323-456V
440V AC	TR3 - 440V AC	4VA	1.5VA	B	374 - 484V
500V AC*	TR3 - 500V AC	4VA	1.5VA	B	425 - 550V

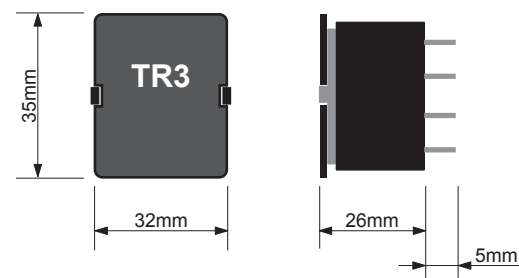
* Only G4PM!

6. Dimensions

Design A - type TR2 or SNT2



Design B - type TR3



Front cover GAMMA

Technical data

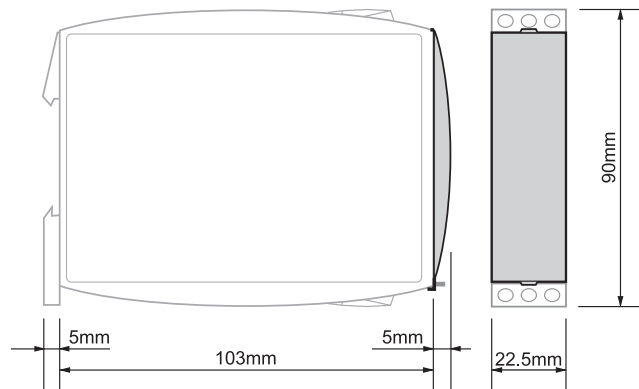
1. Function

Sealable front cover for GAMMA monitoring relays.

2. Mechanical Design

Self-extinguishing plastic cover with sealable snap.

3. Dimensions



Mounting plate MP

Technical data

1. Function

Mounting plate for fixing TELE devices on a mounting plate or wall.

2. Mechanical design

Self-extinguishing plastic, three drillholes diameter 4mm.

3. Dimensions

