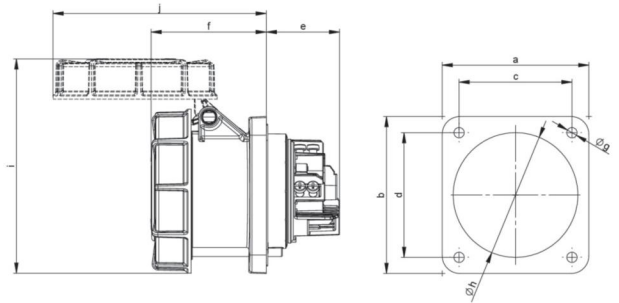


article#	<b>333-6fc</b>
article description	<b>CEE-flanged socket straight (100x107) 63A 3p 6h IP67 POWER TWIST</b>
description long	CEE-flanged socket straight (100x107) 63A 3p 6h IP67 POWER TWIST housing material: PA6 rated current: 63A number of poles: 3 (2P+PE) clock-position: 6h rated voltage/frequency: 200-250V~ / 50+60Hz contacts: brass, with lamellar spring (CuBe) connection technology: frame terminals with screws dimensions (flange/fixing center): 100x107 mm / 77x85 mm IP protection class: IP66/IP67
GTIN (EAN)	9003399200045
country of origin	AT
customs number	85366990
net weight	0.494 kg
packaging quantity	2
minimum order quantity	2

ETIM 9.0	EC001317
IEC-amperage	63 A
Voltage according to EN 60309-2	230 V (50+60 Hz) blue
Number of poles	3
Clock hour position	6 h
Identification colour	Blue
Degree of protection (IP)	IP67
Connection system	Screwed terminal
Angle of plug	Straight
Material	Plastic
Contact material	CuZn
Surface treatment contacts	Untreated
Flange size vertical	107 mm
Drill hole distance vertical	85 mm
Flange size horizontal	100 mm
Drill hole distance horizontal	77 mm

a	100 mm
b	107 mm
c	77 mm
d	85 mm
e	50 mm
f	80 mm
g	7 mm
h	85 mm
i	147 mm
j	146 mm
wire flexible	6-16 mm <sup>2</sup>
wire solid	6-25 mm <sup>2</sup>
contact screws	200 Ncm
dismantling length	100 mm
stripping length	15-18 mm
ambient temperature	-25 – 40 °C
temperature resistance	-25 – 80 °C







<https://www.pcelectric.at/shop/en/?func=detail&artnr=333-6fc>

