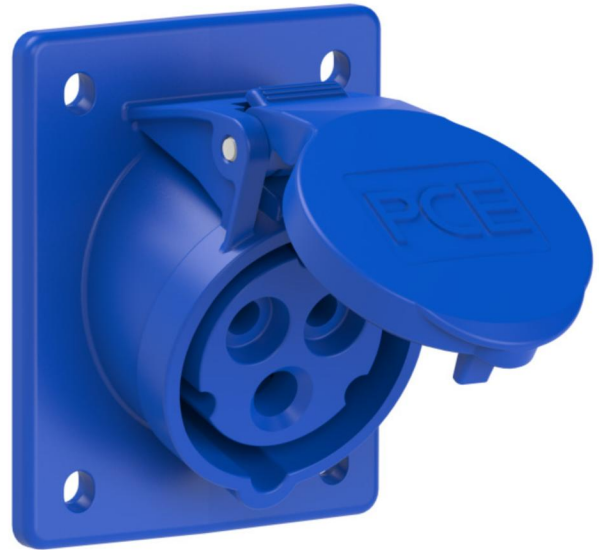
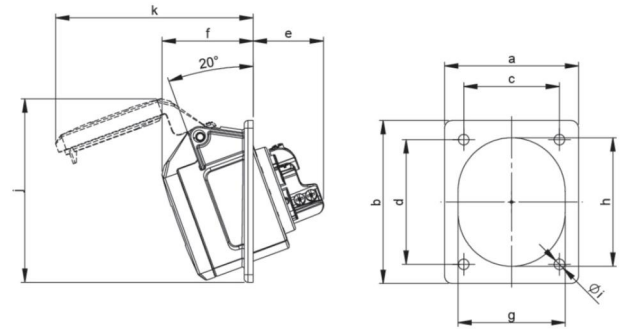


| | |
|------------------------|--|
| article# | 413-6 |
| article description | CEE-flanged socket sloping (70x85mm) 16A 3p 6h IP44/IP54 |
| description long | CEE-flanged socket sloping (70x85mm) 16A 3p 6h IP44/IP54 housing material: PA6 rated current: 16A number of poles: 3 (2P+PE) clock-position: 6h rated voltage/frequency: 200-250V~ / 50+60Hz contacts: brass connection technology: screw terminals dimensions (flange/fixing center): 70x85 mm / 50x65 mm IP protection class: IP44/IP54 |
| GTIN (EAN) | 9003399116070 |
| country of origin | AT |
| customs number | 85366990 |
| net weight | 0.109 kg |
| packaging quantity | 10 |
| minimum order quantity | 10 |



| | |
|---------------------------------|-----------------------|
| ETIM 9.0 | EC001317 |
| IEC-ampereage | 16 A |
| Voltage according to EN 60309-2 | 230 V (50+60 Hz) blue |
| Number of poles | 3 |
| Clock hour position | 6 h |
| Identification colour | Blue |
| Degree of protection (IP) | IP44 |
| Connection system | Screwed terminal |
| Angle of plug | Angled |
| Material | Plastic |
| Contact material | CuZn |
| Surface treatment contacts | Untreated |
| Flange size vertical | 85 mm |
| Drill hole distance vertical | 65 mm |
| Flange size horizontal | 70 mm |
| Drill hole distance horizontal | 50 mm |



| | |
|------------------------|-----------------------|
| a | 70 mm |
| b | 85 mm |
| c | 50 mm |
| d | 65 mm |
| e | 38 mm |
| f | 47 mm |
| g | 51 mm |
| h | 61 mm |
| i | 5,5 mm |
| j | 85 mm |
| k | 99 mm |
| wire flexible | 1-2,5 mm ² |
| wire solid | 1-4 mm ² |
| contact screws | 100 Ncm |
| dismantling length | 50 mm |
| stripping length | 10-12 mm |
| ambient temperature | -25 – 40 °C |
| temperature resistance | -25 – 80 °C |



<https://www.pcelectric.at/shop/en/?func=detail&artnr=413-6>

