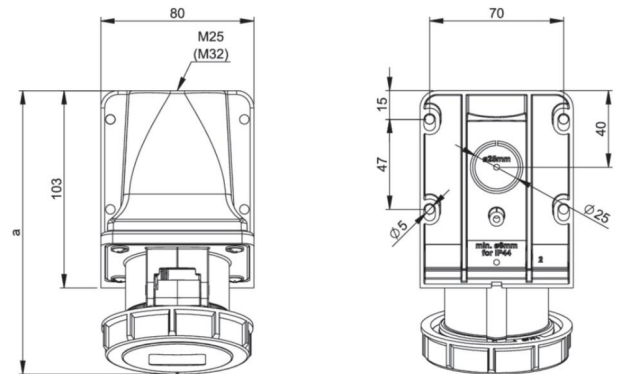


| | |
|------------------------|--|
| article# | 1242-9 |
| article description | CEE-wall mounted socket 32A 4p 9h IP67 |
| description long | CEE-wall mounted socket 32A 4p 9h IP67 housing material: PA6 rated current: 32A number of poles: 4 (3P+PE) clock-position: 9h rated voltage/frequency: 200-250V~ / 50+60Hz contacts: brass connection technology: screw terminals cable entry: top and rear incl. threaded cable gland IP protection class: IP67 |
| GTIN (EAN) | 9003399170867 |
| country of origin | AT |
| customs number | 85366990 |
| net weight | 0.314 kg |
| packaging quantity | 5 |
| minimum order quantity | 5 |

| | |
|---------------------------------|---------------------------|
| ETIM 9.0 | EC001321 |
| Model | Surface mounted |
| IEC-amperage | 32 A |
| Number of poles | 4 |
| Voltage according to EN 60309-2 | 200-250 V (50+60 Hz) blue |
| Clock hour position | 9 h |
| Identification colour | Blue |
| Degree of protection (IP) | IP67 |
| Connection system | Screwed terminal |
| Cable entry | Gland nut |
| Material | Plastic |
| Contact material | CuZn |
| Surface treatment contacts | Untreated |
| Type of fastening | External mounting |

| | |
|------------------------|------------------------|
| a | 161 mm |
| b | 108 mm |
| wire flexible | 2,5-6 mm ² |
| wire solid | 2,5-10 mm ² |
| contact screws | 110 Ncm |
| connecting screws | 110 Ncm |
| dismantling length | 50 mm |
| stripping length | 12-14 mm |
| ambient temperature | -25 – 40 °C |
| temperature resistance | -25 – 80 °C |



b=Höhe/height
Neigung/angle=15°



<https://www.pcelectric.at/shop/en/?func=detail&artnr=1242-9>

