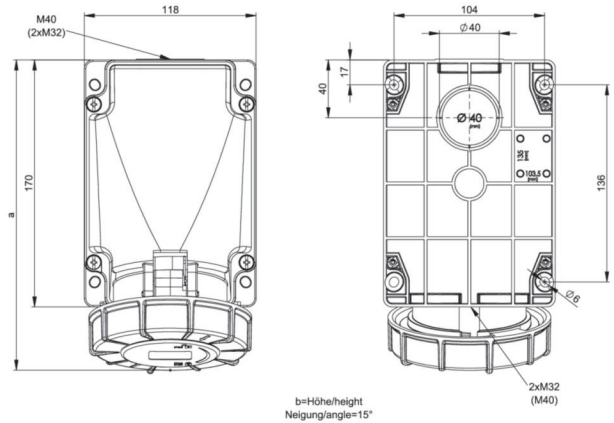


article#	134-9
article description	CEE-wall mounted socket 63A 4p 9h IP67 POWER TWIST
description long	CEE-wall mounted socket 63A 4p 9h IP67 POWER TWIST housing material: PC/ABS rated current: 63A number of poles: 4 (3P+PE) clock-position: 9h rated voltage/frequency: 200-250V~ / 50+60Hz contacts: brass, with lamellar spring (CuBe) connection technology: frame terminals with screws cable entry: top, bottom, rear inc. threaded blind cap IP protection class: IP66/IP67
GTIN (EAN)	9003399032882
country of origin	AT
customs number	85366990
net weight	0.862 kg
packaging quantity	1
minimum order quantity	1

ETIM 9.0	EC001321
Model	Surface mounted
IEC-amperage	63 A
Number of poles	4
Voltage according to EN 60309-2	200-250 V (50+60 Hz) blue
Clock hour position	9 h
Identification colour	Blue
Degree of protection (IP)	IP67
Connection system	Screwed terminal
Cable entry	Gland nut
Material	Plastic
Contact material	CuZn
Surface treatment contacts	Untreated
Type of fastening	External mounting
Insulated mounting	True
Military model	False

a	213 mm
b	173 mm
wire flexible	6-16 mm ²
wire solid	6-25 mm ²
contact screws	200 Ncm
housing screws	200 Ncm
dismantling length	100 mm
stripping length	15-18 mm
ambient temperature	-25 – 40 °C
temperature resistance	-25 – 80 °C







<https://www.pcelectric.at/shop/en/?func=detail&artnr=134-9>