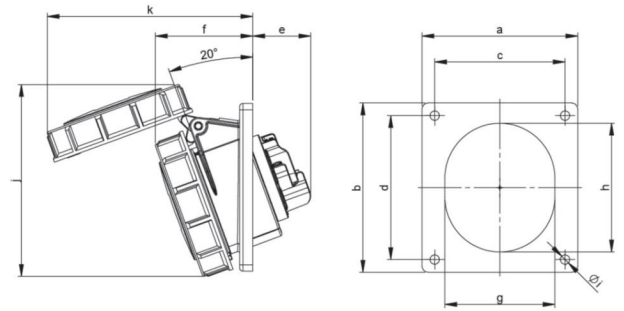


|                        |  |
|------------------------|--|
| article#               | <b>4142-9</b>  |
| article description    | <b>CEE-flanged socket sloping (92x100mm) 16A 4p 9h IP67</b>  |
| description long       | CEE-flanged socket sloping (92x100mm) 16A 4p 9h IP67<br>housing material: PA6<br>rated current: 16A<br>number of poles: 4 (3P+PE)<br>clock-position: 9h<br>rated voltage/frequency: 200-250V~ / 50+60Hz<br>contacts: brass<br>connection technology: screw terminals<br>dimensions (flange/fixing center): 92x100 mm / 77x85 mm<br>IP protection class: IP67 |
| GTIN (EAN)             | 9003399140259  |
| country of origin      | AT   |
| customs number         | 85366990   |
| net weight             | 0.167 kg   |
| packaging quantity     | 10   |
| minimum order quantity | 10   |



|                                 |                       |
|---------------------------------|-----------------------|
| ETIM 9.0                        | EC001317              |
| IEC-amperage                    | 16 A                  |
| Voltage according to EN 60309-2 | 230 V (50+60 Hz) blue |
| Number of poles                 | 4                     |
| Clock hour position             | 9 h                   |
| Identification colour           | Blue                  |
| Degree of protection (IP)       | IP67                  |
| Connection system               | Screwed terminal      |
| Angle of plug                   | Angled                |
| Material                        | Plastic               |
| Contact material                | CuZn                  |
| Surface treatment contacts      | Untreated             |
| Flange size vertical            | 100 mm                |
| Drill hole distance vertical    | 85 mm                 |
| Flange size horizontal          | 92 mm                 |
| Drill hole distance horizontal  | 77 mm                 |



|                        |                       |
|------------------------|-----------------------|
| a                      | 92 mm                 |
| b                      | 100 mm                |
| c                      | 77 mm                 |
| d                      | 85 mm                 |
| e                      | 34 mm                 |
| f                      | 55 mm                 |
| g                      | 56 mm                 |
| h                      | 67 mm                 |
| i                      | 5,5 mm                |
| j                      | 105 mm                |
| k                      | 115 mm                |
| wire flexible          | 1-2,5 mm <sup>2</sup> |
| wire solid             | 1-4 mm <sup>2</sup>   |
| contact screws         | 100 Ncm               |
| dismantling length     | 50 mm                 |
| stripping length       | 10-12 mm              |
| ambient temperature    | -25 – 40 °C           |
| temperature resistance | -25 – 80 °C           |



<https://www.pcelectric.at/shop/en/?func=detail&artnr=4142-9>

