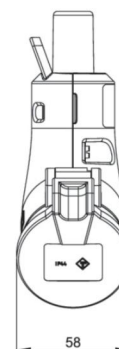
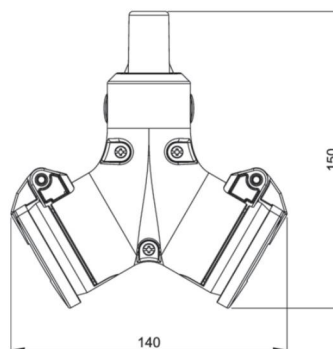


|                        |  |
|------------------------|--|
| article#               | <b>25212-r</b>   |
| article description    | <b>2-way connector nat with lid IP44</b>   |
| description long       | 2-way safety connector with hinged lid<br>housing material: PC/ABS, contact carrier: PA<br>color housing: red/black<br>3-pole terminal block<br>earthing system: Austrian/German<br>contacts: nickel plated<br>250V~ / 16A / 2P+E / 3500W max<br>protection rating: IP44 |
| GTIN (EAN)             | 9003399764813  |
| country of origin      | PL   |
| customs number         | 85366990   |
| net weight             | 0.230 kg   |
| packaging quantity     | 10   |
| minimum order quantity | 10   |

|                                       |                         |
|---------------------------------------|-------------------------|
| ETIM 9.0                              | EC001327                |
| Model                                 | Coupler CEE 7/3 (Typ F) |
| Material                              | Plastic                 |
| For heavy conditions according to VDE | True                    |
| Degree of protection (IP)             | IP44                    |
| Insert direction                      | Straight                |
| Connection system                     | Screwed terminal        |
| Colour                                | Red                     |
| Number of poles                       | 3                       |
| Nominal voltage                       | 250 V                   |
| Nominal current                       | 16 A                    |

|                    |                       |
|--------------------|-----------------------|
| wire flexible      | 1-2,5 mm <sup>2</sup> |
| contact screws     | 80 Ncm                |
| strain relief      | 80 Ncm                |
| dismantling length | 30 mm                 |
| stripping length   | 7 mm                  |



<https://www.pcelectric.at/shop/en/?func=detail&artnr=25212-r>

